



FISHER MANUFACTURING COMPANY TOLL FREE: 800-421-6162 - FAX: 800-832-8238
 customer@fisher-mfg.com - www.fisher-mfg.com

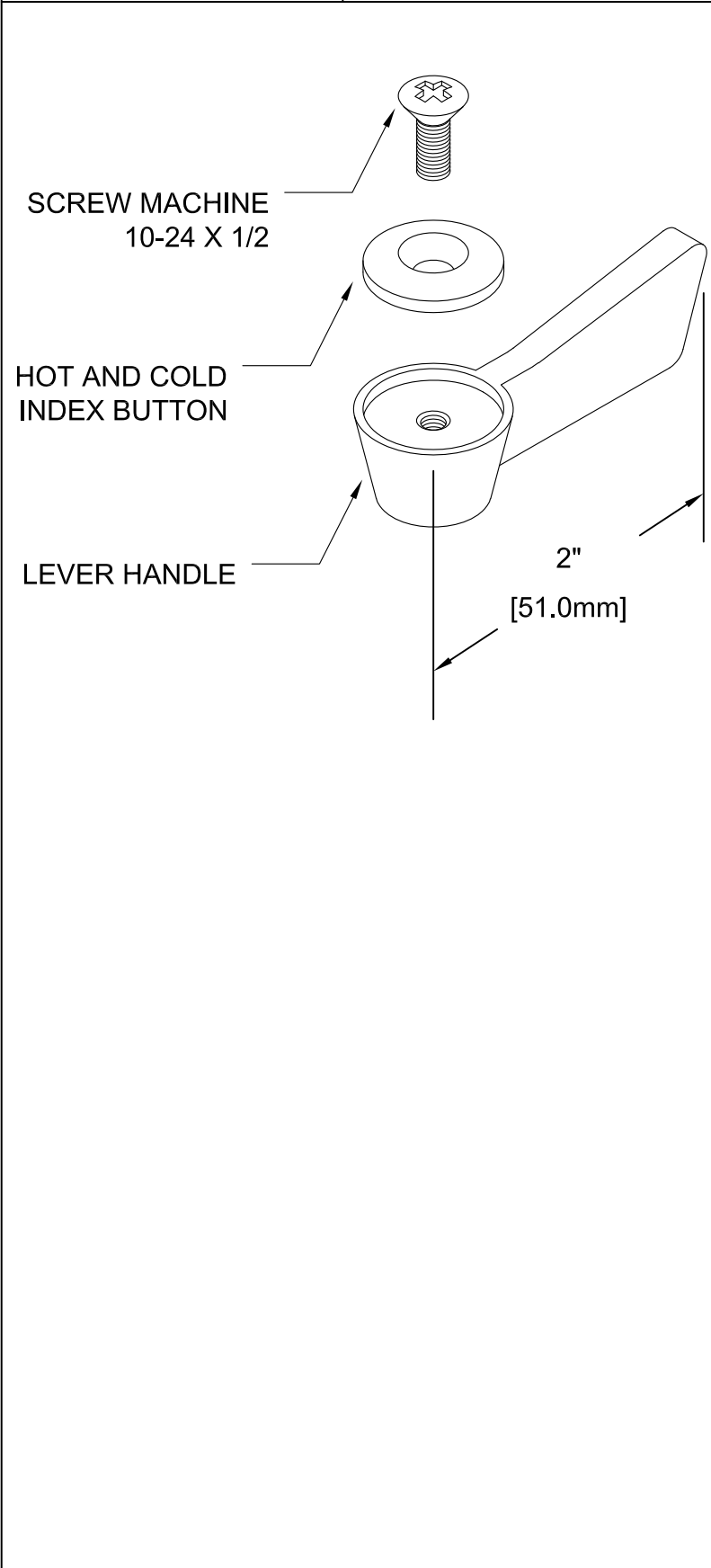
PRODUCT NAME:

HANDLE LEVER KIT

SPEC. CRKB-LKH-XX

Customer/Wholesaler:	Date:	Job Name:	Model Specified:	Quantity:
----------------------	-------	-----------	------------------	-----------

Contractor:	Architect/Engineer:
-------------	---------------------



MODEL:

2000-0002 HANDLE LEVER KIT

OPTIONS OR MODIFICATIONS:

OTHER _____

FEATURES

- * HANDLE LEVER
- * BUTTON INDEX HOT-RED
- * BUTTON INDEX COLD-BLUE
- * SCREW MACHINE 10-24 X 1/2

SHIPPING WEIGHT

* .125 LBS

Drawn: DF	Checked: EM	Approved: DF	Date: 03/10/21	Sheet: 1 of 1
-----------	-------------	--------------	----------------	---------------