

APPLICATION:

PRODUCT NAME:
OVERFLOW ELBOW DRAINING

JOB NAME:

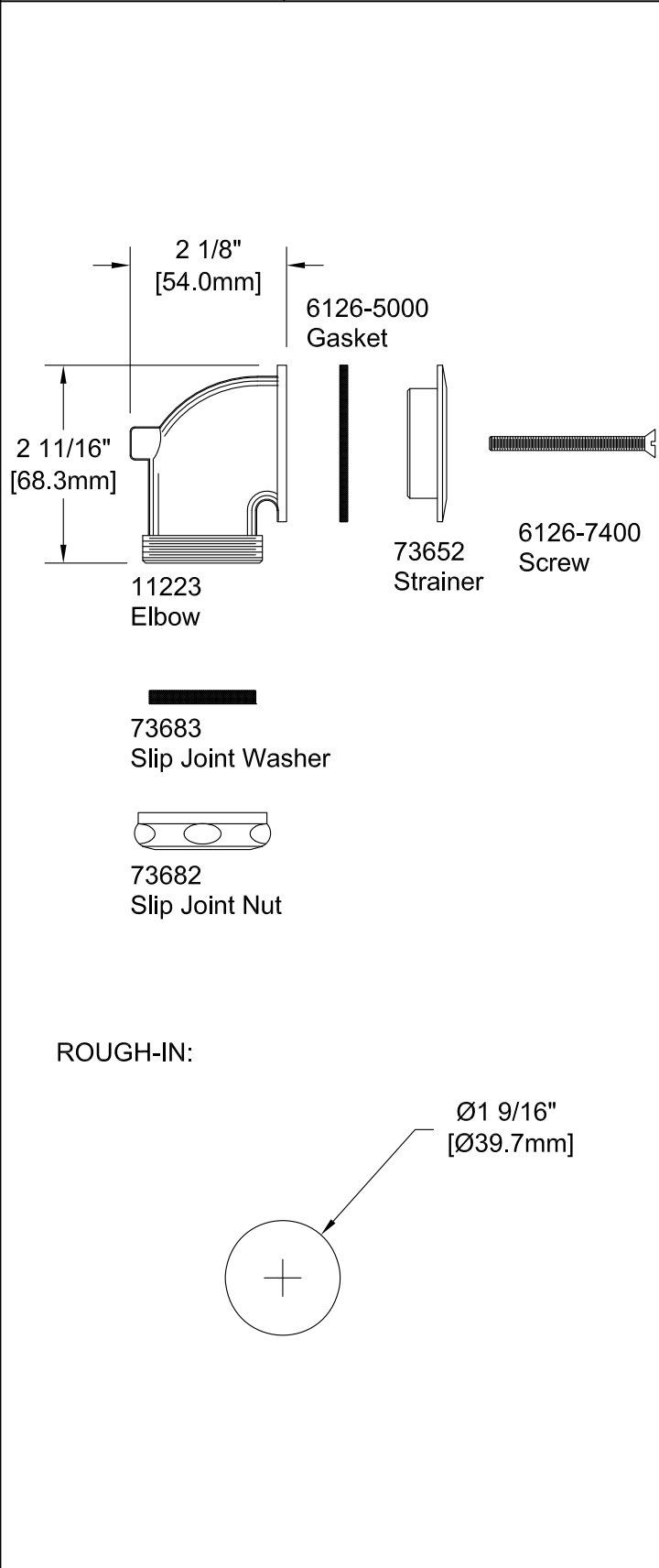
MODEL:

QUANTITY:

ITEM NO.:

11223 OVERFLOW ELBOW DRAINING

OPTIONS OR MODIFICATIONS:
 OTHER _____



- FEATURES
- * 6126-7400 SCREW
 - * 73652 STRAINER
 - * 6126-5000 GASKET
 - * 11223 ELBOW
 - * 73683 SLIP JOINT WASHER
 - * 73682 SLIP JOINT NUT

SHIPPING WEIGHT
* 2.75 LBS



FISHER MANUFACTURING COMPANY
TOLL FREE: 800-421-6162 - FAX: 800-832-8238
information@fisher-mfg.com - www.fisher-mfg.com