

APPLICATION:

PRODUCT NAME:
DUAL CHECK 1/2F X 1/2F ECO

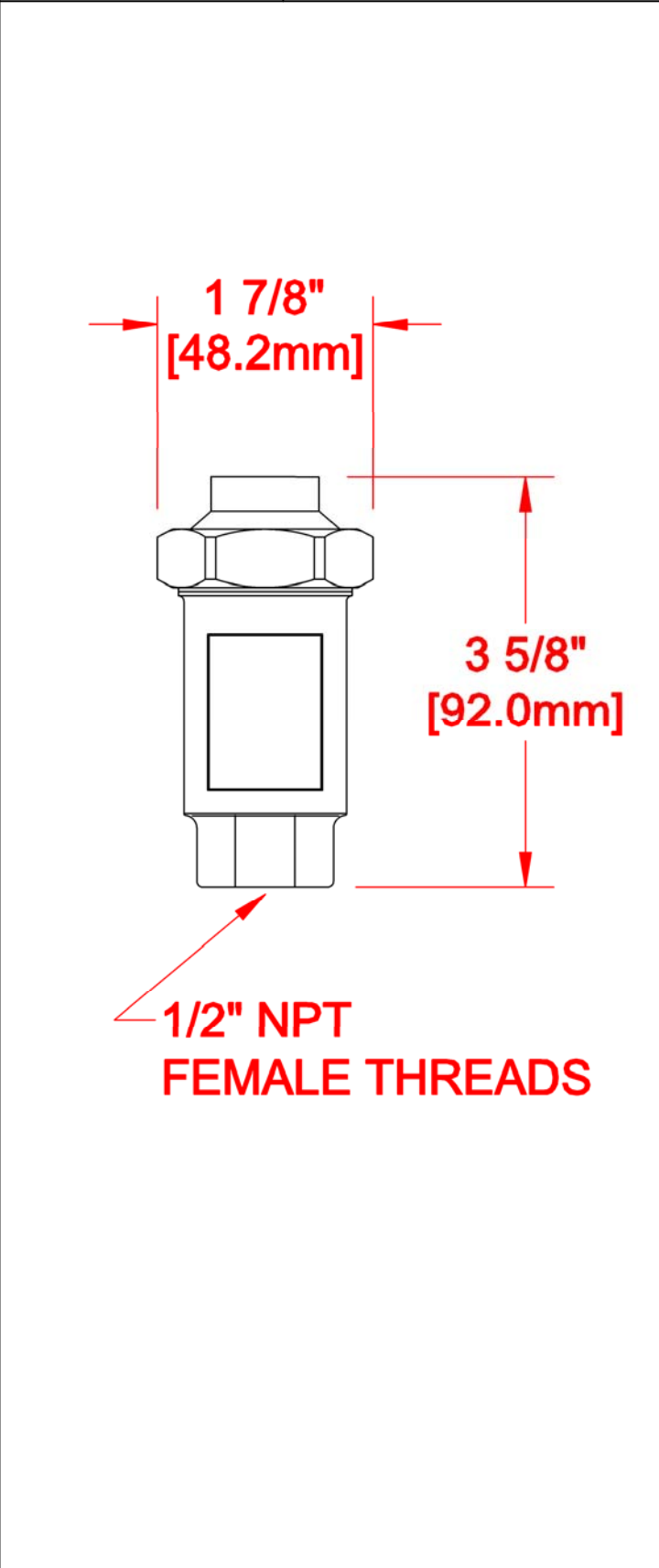
JOB NAME:

MODEL:

QUANTITY:

ITEM NO.:

1803



OPTIONS OR MODIFICATIONS:
 OTHER _____

FEATURES:

- * CAN BE INSTALLED VERTICALLY OR HORIZONTALLY
- * BODY: LEAD FREE, COPPER SILICON ALLOY

SYSTEM LIMITS

- * TEMP: 33°F MIN. TO 180°F MAX.
- * PRESSURE 175 PSI MAX. STATIC

SHIPPING WEIGHT

- * 3.0 LBS

ANSI/A112.18.1M, ANSI/NSF 61.9

FISHER

FISHER MANUFACTURING COMPANY
 TOLL FREE: 800-421-6162 - FAX: 800-832-8238
 information@fisher-mfg.com - www.fisher-mfg.com