

APPLICATION:

JOB NAME:

PRODUCT NAME:
ADD-ON FAUCET LESS SWING SPOUT

SPECIAL CONFIGURATION
 CHECK BASE MODEL AND OPTIONS

QUANTITY:

ITEM NO.

MODEL:
 2901-0000 WITH 4" RISER
 2901-0001 WITH 2" RISER

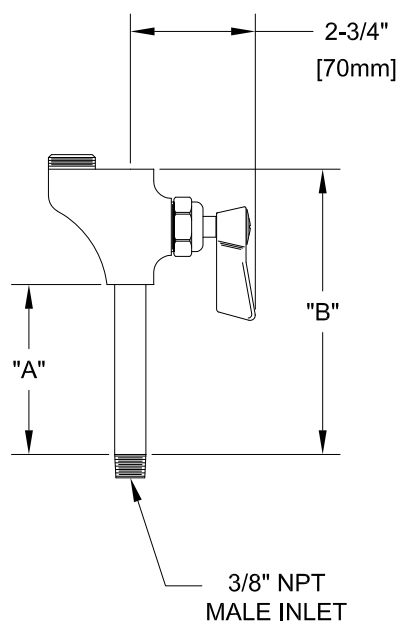
OPTIONS OR MODIFICATIONS:
 HANDLES (CROSS OR WRIST) CIRCLE STYLE
 VANDAL RESISTANT KIT
 OTHER _____

FEATURES

CONTROL VALVE
 * 3/8" MALE INLET
 * STEM - RIGHT HAND
 * HOT AND COLD INDEX BUTTONS
 * SWIVELLING SEAT DISK
 * STAINLESS STEEL SEAT
 * STAINLESS STEEL SEAT SCREW
 * STAINLESS STEEL HANDLE SCREW

SYSTEM LIMITS
 * TEMP: 40°F MIN. TO 160°F MAX.
 * PRESSURE: 200 PSI MAX. STATIC

SHIPPING WEIGHT
 * 1.5 LBS



MODEL	DIM "A"	DIM "B"
2901-0000	3-3/4" [95mm]	6" [152mm]
2901-0001	1-3/4" [45mm]	4" [102mm]