



FISHER MANUFACTURING COMPANY TOLL FREE: 800-421-6162 - FAX: 800-832-8238  
 customer@fisherfaucets.com - www.fisherfaucets.com

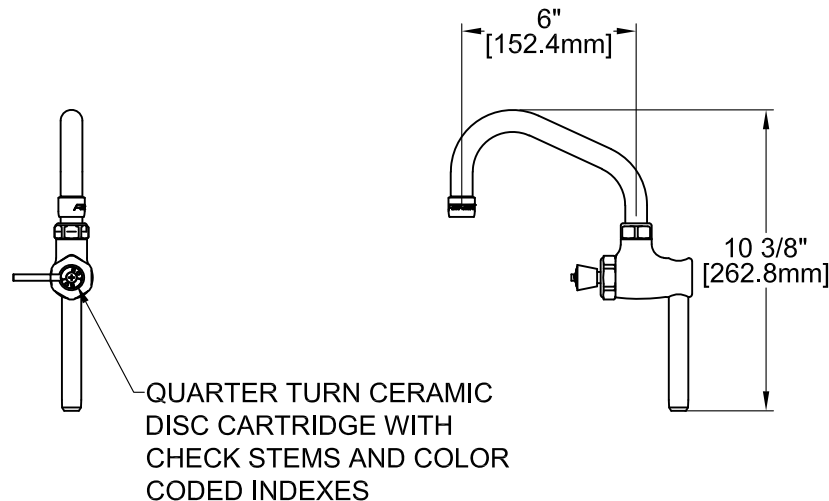
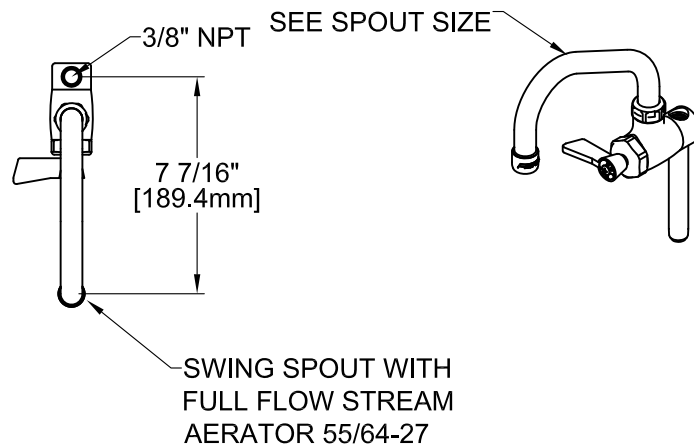
PRODUCT NAME:

FAUCET ADDONCDLH

SPEC. CACB-ADR4KF-XXL

Customer/Wholesaler:	Date:	Job Name:	Model Specified:	Quantity:
Contractor:		Architect/Engineer:		

	MODEL	DESCRIPTION	SPOUT SIZE
<input type="checkbox"/>	29060	FAUCET ADDONCDLH	06SS
<input type="checkbox"/>	29080	FAUCET ADDONCDLH	08SS
<input type="checkbox"/>	29100	FAUCET ADDONCDLH	10SS
<input type="checkbox"/>	88310	FAUCET ADDONCDLH	12SS 2R
<input type="checkbox"/>	29120	FAUCET ADDONCDLH	12SS
<input type="checkbox"/>	29140	FAUCET ADDONCDLH	14SS
<input type="checkbox"/>	19160	FAUCET ADDONCDLH	16SS



<b>PRODUCT SPECIFICATIONS:</b> FAUCET ADDON MIXING FAUCET, QUARTER TURN CERAMIC DISC CARTRIDGES WITH LEVER HANDLES, SWING SPOUT WITH FULL FLOW STREAM AERATOR 55/64-27, 2" OR 4" RISER			<b>PRODUCT COMPLIANCE:</b> ASME A112.18.1 / CSA B125.1 NSF 61 - Section 9 NSF 372 (Low Lead Content)	
Drawn: DF	Checked: EM	Approved: DF	Date: 01/29/24	Sheet: 1 of 2

# FISHER<sup>®</sup>

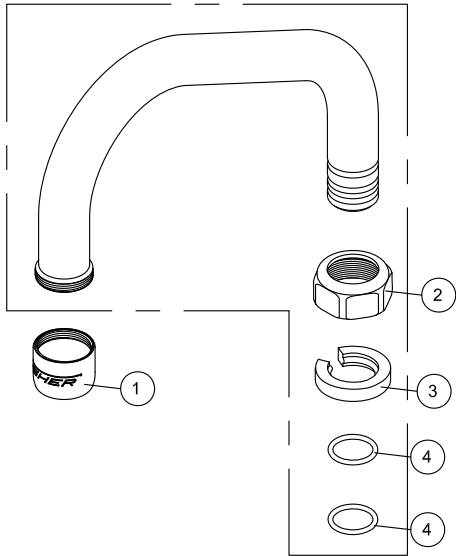
FISHER MANUFACTURING COMPANY TOLL FREE: 800-421-6162 - FAX: 800-832-8238  
customer@fisherfaucets.com - www.fisherfaucets.com

PRODUCT NAME:

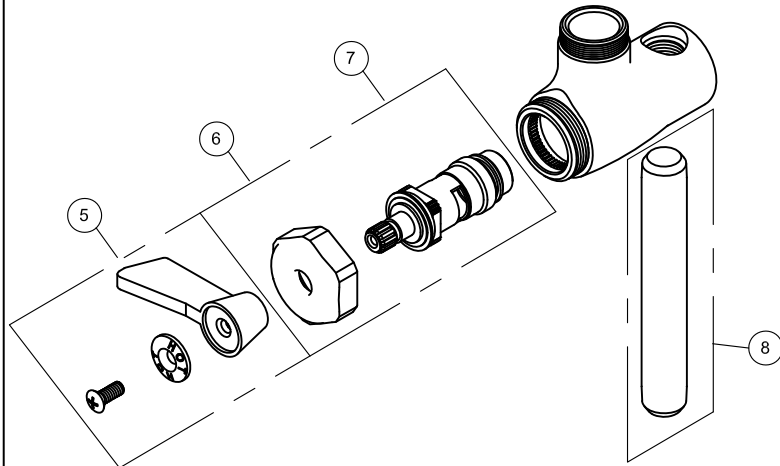
FAUCET ADDONCDLH

SPEC. CACB-ADR4KF-XXL

Customer/Wholesaler:	Date:	Job Name:	Model Specified:	Quantity:
Contractor:	Architect/Engineer:			



NO.	QTY.	ITEM	NAME
1	1	75801	NEOSTRAHL FULL FLOW STREAM STRAIGHTENER 55/64-27
2	1	75237	NUT SPOUT 1/2 CD BRS POL CR
3	1	20020	SNAP RING FERRULE 1/2
4	2	1600-5000	O-RING SPOUT 1/2
5	1	2000-0002	HANDLE KIT LEVER
6	1	75957	BIBB CAP FAUCET CD NL BRS CR
7	1	75959	STEM 1/2 CERAMIC DISK RH
8	1	72748	RISER PR 04 1/2 NL BRS POL CR



**PRODUCT SPECIFICATIONS:**

FAUCET ADDON MIXING FAUCET, QUARTER TURN CERAMIC DISK CARTRIDGES WITH LEVER HANDLES, SWING SPOUT WITH FULL FLOW STREAM AERATOR 55/64-27, 2" OR 4" RISER

**PRODUCT COMPLIANCE:**

ASME A112.18.1 / CSA B125.1  
NSF 61 - Section 9  
NSF 372 (Low Lead Content)