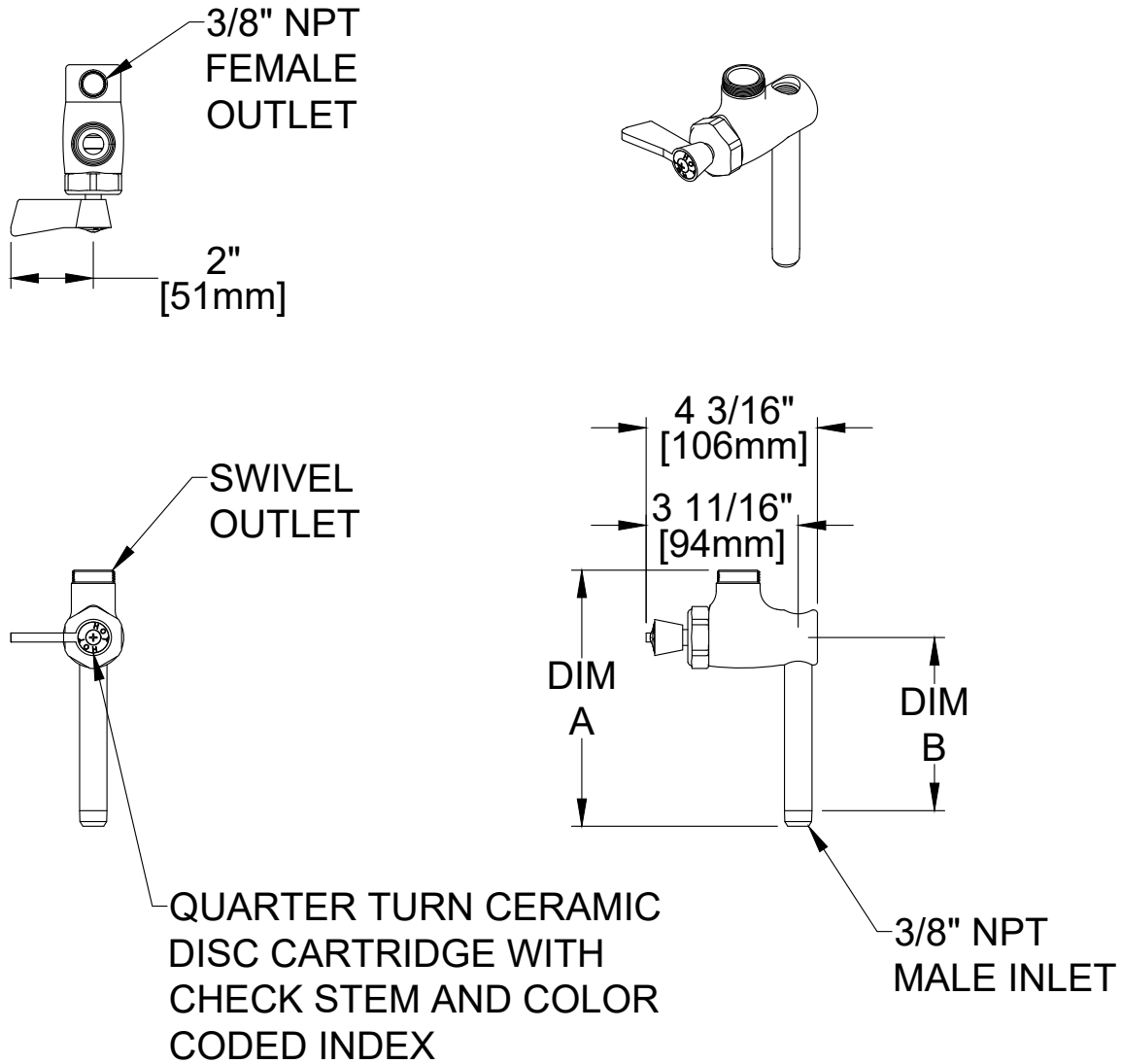


Customer/Wholesaler:	Date:	Job Name:	Model Specified:	Quantity:
Contractor:		Architect/Engineer:		



MODEL	DESCRIPTION	DIM A	DIM B
<input type="checkbox"/> 29000	CTL VLV ADDONCDLH RIG SV 2	4 3/16" [107mm]	2 3/16" [56mm]
<input type="checkbox"/> 29010	CTL VLV ADDONCDLH RIG SV 4	6 3/16" [158mm]	4 3/16" [107mm]

PRODUCT SPECIFICATIONS:
ADD-ON FAUCET, QUARTER TURN CERAMIC DISC CARTRIDGE W/CHECK STEM, LEVER HANDLE, SWIVEL OUTLET, 4 1/2" OR 2 1/2" RISER, 3/8" NPT INLET AND OUTLET

PRODUCT COMPLIANCE:
ASME A112.18.1 / CSA B125.1
NSF 61 - Section 9
NSF 372 (Low Lead Content)



FISHER MANUFACTURING COMPANY TOLL FREE: 800-421-6162 - FAX: 800-832-8238
customer@fisherfaucets.com - www.fisherfaucets.com

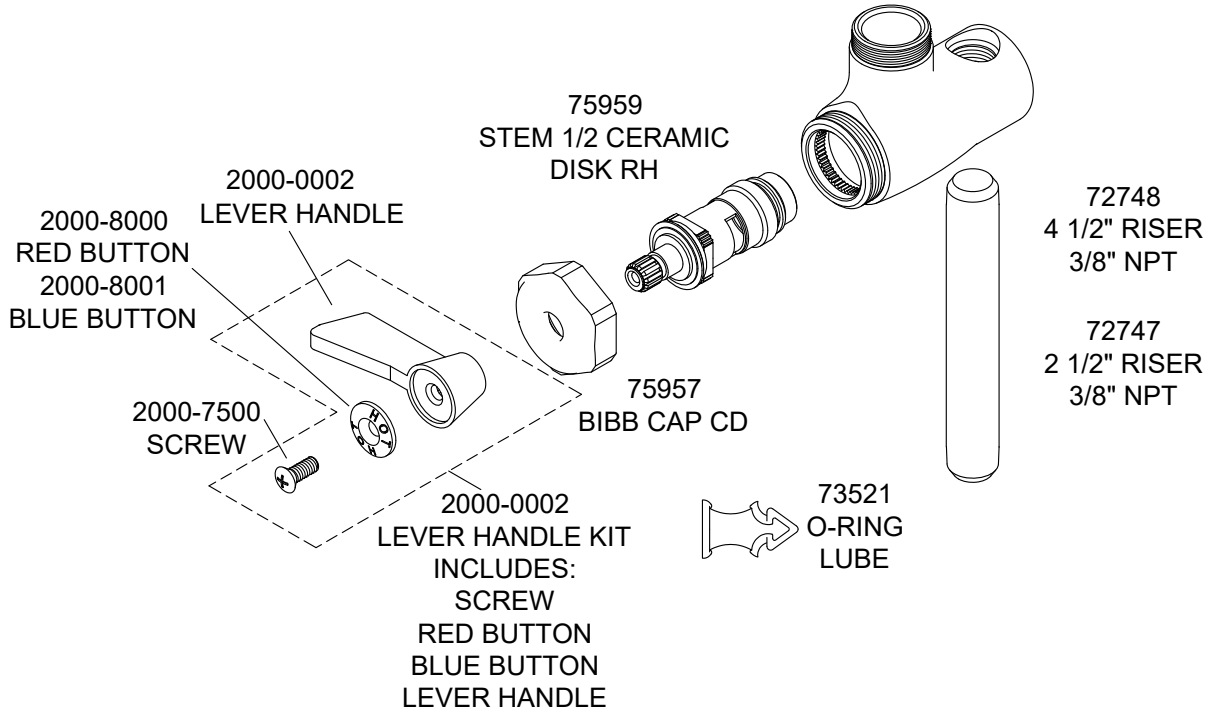
PRODUCT NAME:

CTL VLV ADDONCDLH RIG SV

SPEC. CACB-ADR4-XXL

Customer/Wholesaler:	Date:	Job Name:	Model Specified:	Quantity:
Contractor:		Architect/Engineer:		

REPLACEMENT PARTS



PRODUCT SPECIFICATIONS:
ADD-ON FAUCET, QUARTER TURN CERAMIC DISC CARTRIDGE W/CHECK STEM, LEVER HANDLE, SWIVEL OUTLET, 4 1/2" OR 2 1/2" RISER, 3/8" NPT INLET AND OUTLET

PRODUCT COMPLIANCE:
ASME A112.18.1 / CSA B125.1
NSF 61 - Section 9
NSF 372 (Low Lead Content)