

APPLICATION:

PRODUCT NAME:  
**QUICK DISCONNECT BASE ECC**

JOB NAME:

MODEL:  
 44547 QUICK DISCONNECT BASE ECC

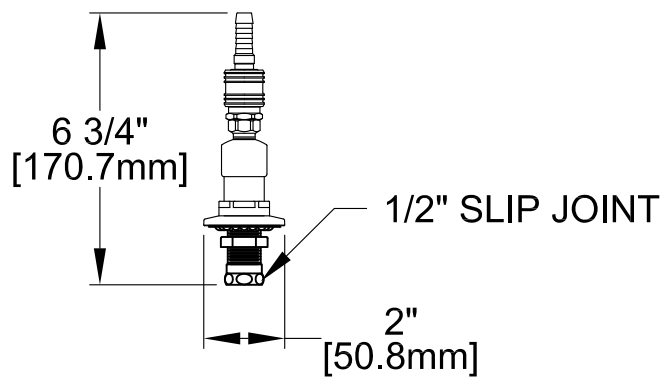
QUANTITY:

ITEM NO.:

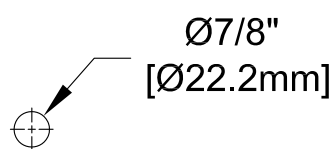
OPTIONS OR MODIFICATIONS:  
 OTHER \_\_\_\_\_

FEATURES:

- SYSTEM LIMITS
- \* TEMP: 40°F MIN. TO 160°F MAX. STATIC
  - \* PRESSURE 200 PSI MAX. STATIC
  - \* SHIPPING WEIGHT: 0.6 LBS



ROUGH-IN:



FISHER MANUFACTURING COMPANY  
 TOLL FREE: 800-421-6162 - FAX: 800-832-8238  
 information@fisher-mfg.com - www.fisher-mfg.com