

APPLICATION:

PRODUCT NAME:
GASKET CLAMPING RING

JOB NAME:

MODEL:
 11274 GASKET CLAMPING RING

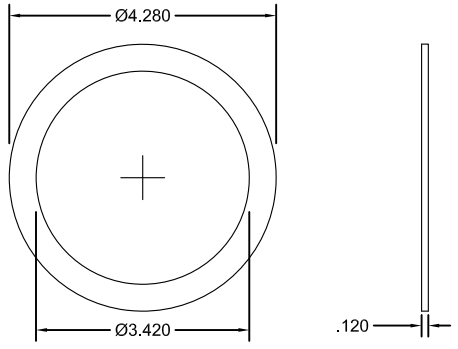
QUANTITY:

ITEM NO.:

OPTIONS OR MODIFICATIONS:
 OTHER _____

FEATURES

SHIPPING WEIGHT
* 0.125 LBS



FISHER MANUFACTURING COMPANY
TOLL FREE: 800-421-6162 - FAX: 800-832-8238
information@fisher-mfg.com - www.fisher-mfg.com