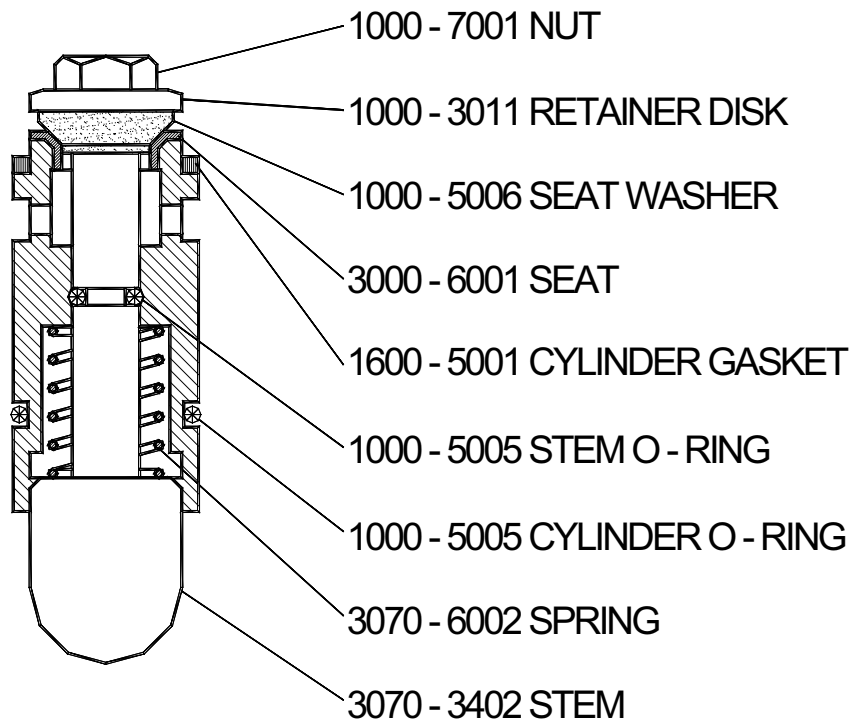


Replacement Parts for "Single & Double Pedal Valve Wall Mount"

3070 - 0000 FOOT VALVE CYLINDER



"Single & Double Pedal Valve Wall Mount" Product Installation Guide

Since 1936, Fisher Manufacturing Company has manufactured heavy-duty, high quality plumbing products and hardware specialties for the food service industry. For three generations, the Fisher family has adhered to a strict dedication of and overall value. When you install Fisher products... you install the best. Our hardware is manufactured with the standardization of internal mechanisms. All chrome plating is triple plated copper, nickel and chrome for durability. Every piece of equipment we make is rigorously tested in both our modern in-house testing center and in actual field situations under extreme conditions. Every detail is thoroughly checked. Before we make our products available to you, they pass each and every test. You get proven performance. Guaranteed.



Limited One Year Warranty

Fisher Manufacturing Company warrants its products and parts thereof (except as noted below) against defects in materials or workmanship for a period of one year after the date of original purchase. During this period Fisher Manufacturing Company will replace a defective product or part without charge to you, provided that the entire product is delivered to Fisher Manufacturing Company. All transportation and insurance charges for shipping the product to and from Fisher Manufacturing Company must be borne by you. Charges for transportation and insurance may, at the option of Fisher Manufacturing Company, be refunded depending upon our investigation of the warranty claim. This warranty does not cover external finish (except at date of original purchase) or labor costs not specifically authorized by Fisher Manufacturing Company.

#3076 - Single Pedal Valve Wall Mount: Polished Chrome.

#3176 - Double Pedal Valve Wall Mount: Polished Chrome.

A full and complete copy of our One Year limited warranty is available upon request.

WARNING:

Proposition 65 requires that we provide you with the following notice: "This product Contains A Chemical Known To The State Of California To Cause Birth Defects Or Other Reproductive Harm."

KEEP THIS MANUAL FOR FUTURE REFERENCE



ANSI/A112.18.1M, ANSI/NSF 61.9

FISHER MANUFACTURING COMPANY - TOLL FREE: 800-421-6162 FAX: 800-832-8238

FISHER
 MANUFACTURING COMPANY
 PO BOX 60, TULARE, CA 93275
 (800)421-6162, FAX: (800)832-8238
 www.fisher-mfg.com

Installation Instructions for “Single & Double Pedal Valve Wall Mount”

BE SURE TO CHECK WITH YOUR LOCAL DEPARTMENT HAVING JURISDICTION REGARDING BACKFLOW PREVENTION

Installation Notes:

- Be sure to shut off water supply before beginning.
- Use pipe thread sealant such as PST on all threaded joints.
- Check the packaging for missing items BEFORE beginning installation. If items are missing, contact your supplier.

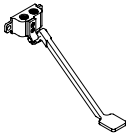
Tools Required for Installation

- Medium Sized Adjustable Wrench
- Pipe Thread Sealant
- Screwdriver



Package Contents

The box should contain the following:

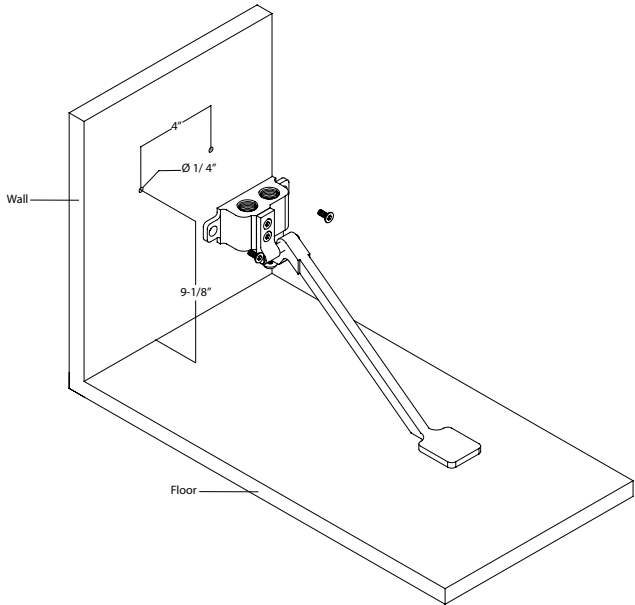


3076 - Single Pedal Valve Wall Mount or 3176 - Double Pedal Valve Wall Mount

Installation Instructions

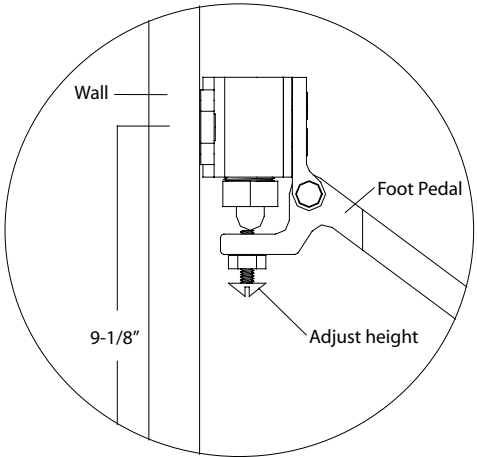
1. Turn off water supply
2. Mount single pedal control valve assembly to wall 4” on center with two no.4’s mounting screws, no more than 9-1/8” from floor to center of mounting holes. Note: 5” on center, if installing the 3176 (Double Pedal Valve Wall Mount) (See step 1 illustration .)
3. Adjust the foot pedal to the desired height by, loosening the nut and bolt (See step 2 illustration.)
Note: Approximate height of pedal should be 1” from floor..(See step 3 illustration.)
4. Apply Teflon Tape or pipe joint compound to threads of supply lines.
Connect supply lines with 1/2” NPT piping.
5. Turn on water supply and check for leaks.

Step 1



Installation Instructions Continued

Step 2



Step 3

