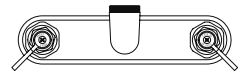


Replacement Parts for Backsplash Faucets



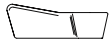
5400
CONTROL VALVE



2000-7500
SCREW



2000-8000
RED BUTTON
AND
2000-8001
BLUE BUTTON



2000-2301
LEVER HANDLE



2000-3002
BIBB CAP



10464
DUCK GASKET



2000-5000
WASHER



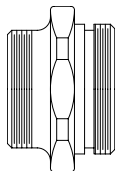
5000-0006
LH SWIVEL STEM
OR
5000-0007
RH SWIVEL STEM

5000-5003
SEAT WASHER

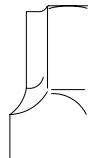
1000-7502
SCREW



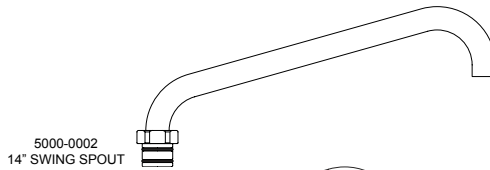
10456
LUBE



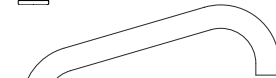
5000-3308
RH STEM ADAPTER
OR
5000-3305
LH STEM ADAPTER



5000-2103
3/4" ELBOW



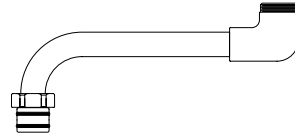
5000-0002
14" SWING SPOUT



5000-0001
10" SWING SPOUT



5000-0020
6" SWING SPOUT



5000-0010
RH SWIVEL STEM
REPAIR KIT
OR
5000-0011
LH SWIVEL STEM
REPAIR KIT

5000-0003
DOUBLE JOINT
SPOUT 10"

FISHER
FISHER MANUFACTURING COMPANY

3/4" Backsplash Faucet Product Installation Guide



#5412 - 3/4" Backsplash Faucet with 10" Swing Spout

#5414 - 3/4" Backsplash Faucet with 14" Swing Spout

KEEP THIS MANUAL FOR FUTURE REFERENCE



ANSI/A112.18.1M, ANSI/NSF 61.9

FISHER MANUFACTURING COMPANY - TOLL FREE: 800-421-6162 FAX: 800-832-8238

Installation Instructions for Backsplash Faucets

BE SURE TO CHECK WITH YOUR LOCAL DEPARTMENT HAVING JURISDICTION REGARDING BACKFLOW PREVENTION

Installation Notes:

- Be sure to shut off water supply before beginning.
- Use pipe thread sealant such as PST on all threaded joints.
- Check the packaging for missing items BEFORE beginning installation. If items are missing, contact your supplier.

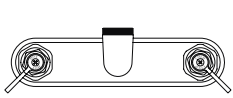
Tools Required for Installation

- Medium Sized Crescent Wrench
- Pipe Thread Sealant

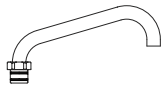


Package Contents

The box should contain the following:



Control Valve
Qty: 1



Swing Spout
Length determined by model
Qty: 1
Each spout includes two
5000-5001 o-rings



5000-2103
3/4" Elbow

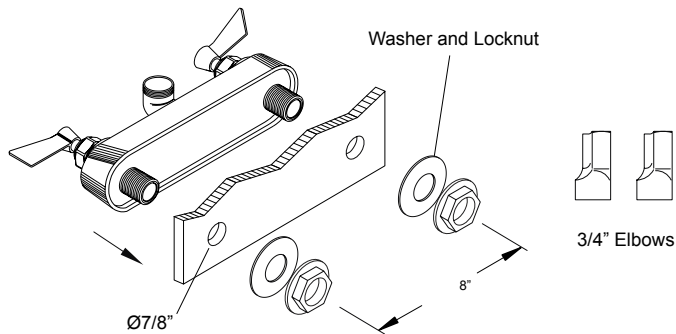


10456

Installation Instructions

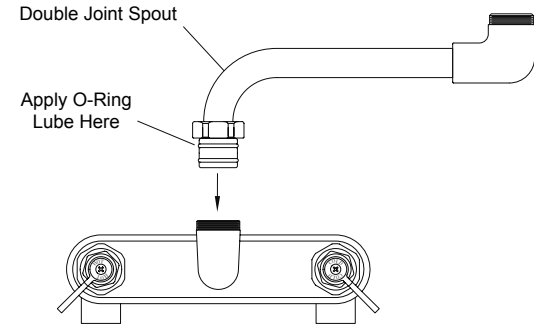
1. Mount control valve body to the backsplash by inserting the nipples through the backsplash and attaching washers and locknuts. Tighten the locknuts until the control valve is secure. Be sure to use pipe thread sealant on the nipple threads. Attach elbows and make sure that there are no leaks from back of sink.
2. If installing a double joint spout, apply lube to the o-rings on the spout. Mount the double joint spout and tighten the nut onto the faucet spout outlet.
3. Apply lube to the o-rings on the swing spout. Mount the swing spout and tighten the swing spout nut onto the faucet spout outlet.
4. Turn on water supply and check for leaks.

Step 1

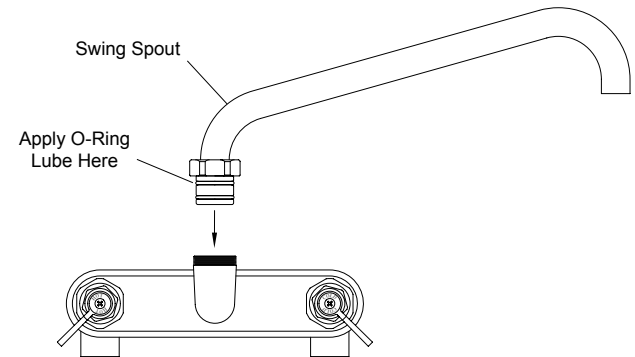


Installation Instructions Continued

Step 2



Step 3



Step 4

