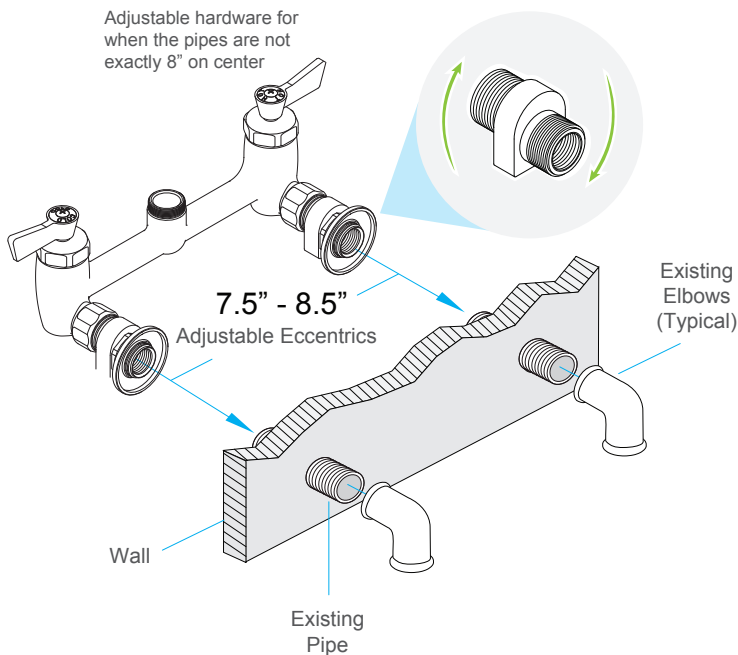
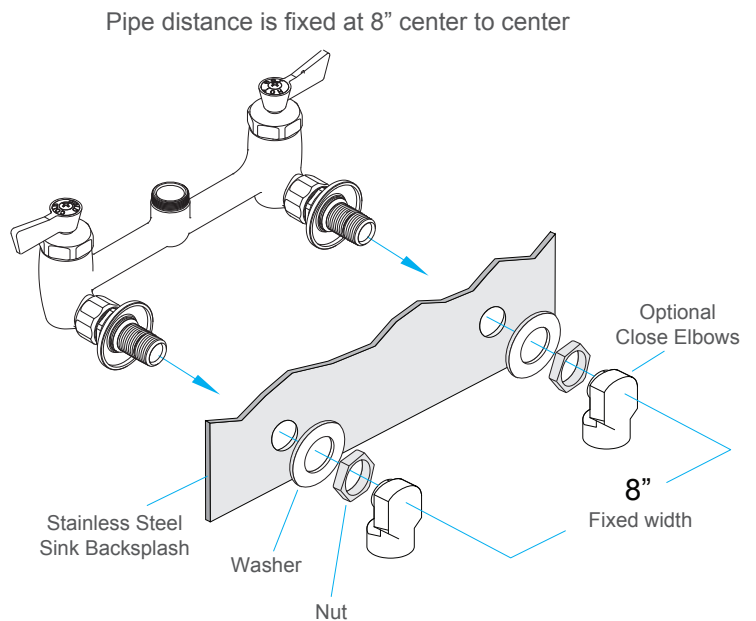


FISHER EDUCATION: BACKSPLASH VS WALL

BACKSPLASH MOUNT FAUCET

When you see the term "Backsplash mount" in our catalog or on our website what does that mean? It means that the faucet comes with the male hardware (nipple and locknut) to install the faucet onto a stainless-steel sink. Since 90% of Fisher faucets and pre-rinse units are sold to be installed onto the backsplash of a sink, make sure you order BACKSPLASH mount.



WALL MOUNT FAUCET

When you see the term "Wall mount" in our catalog or on our website what does it mean? It means that the faucet comes with the adjustable eccentrics (eccentrics adjust from 7-1/2" to 8-1/2") to attach the faucet or pre-rinse unit directly to the pipes sticking out of the wall.

**Two options....
that's the flexibility
of Fisher!**