

FISHER[®]

MANUFACTURING COMPANY

Commercial Faucets Since 1936

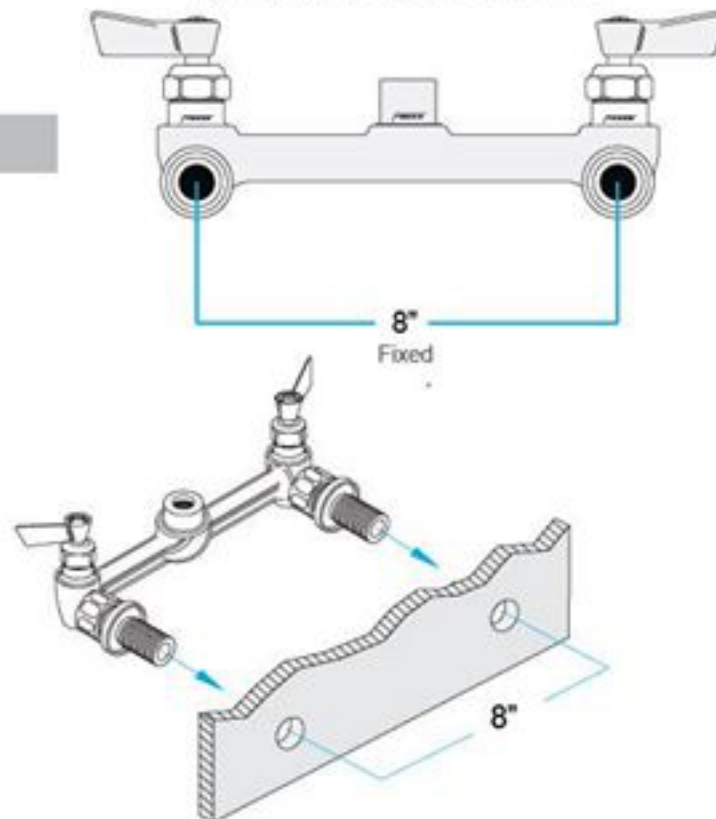
Fisher Education:

Backsplash vs Wall

When you see the term "Backsplash" in our catalog or website what does that mean? It means that it comes with the male hardware (nipple and locknut) to install the faucet onto a stainless steel sink. Since 90% of Fisher faucets and pre-rinse units are sold to be installed onto the backsplash of a sink make sure you order BACKSPASH mount.

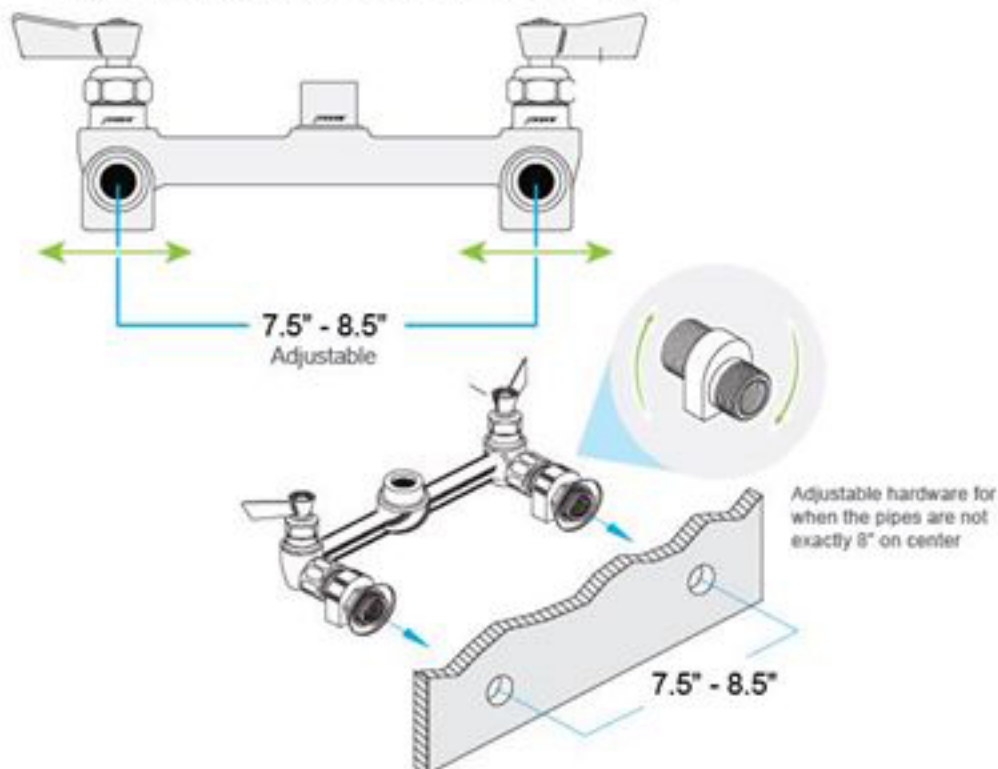
Backsplash Faucet

Pipe distance is fixed at 8" c/c



Wall Mount Faucet

Pipe distance varies from 7.5" to 8.5" c/c



When you see the term "Wall" in our catalog or website what does it mean? It means it comes with the adjustable eccentrics (Eccentrics adjust from 7-3/4" to 8-1/4") to attach the faucet or pre-rinse unit directly to the pipes sticking out of the wall.

**Two options....
that's the reliability
of Fisher!**

FISHER MANUFACTURING CO.
TOLL FREE: 800•421•6162 • FAX: 800•832•8238
www.fisherfaucets.com

